



MP300



EN

v1.0
Rev.03/2026



USER/INSTALLER MANUAL



	This product is certified in accordance with European Community (EC) safety standards.
RoHS	This product complies with Directive 2011/65/EU of the European Parliament and of the Council, of 8 June 2011, on the restriction of the use of certain hazardous substances in electrical and electronic equipment and with Delegated Directive (EU) 2015/863 from Commission.
	(Applicable in countries with recycling systems). This marking on the product or literature indicates that the product and electronic accessories (eg. Charger, USB cable, electronic material, controls, etc.) should not be disposed of as other household waste at the end of its useful life. To avoid possible harm to the environment or human health resulting from the uncontrolled disposal of waste, separate these items from other types of waste and recycle them responsibly to promote the sustainable reuse of material resources. Home users should contact the dealer where they purchased this product or the National Environment Agency for details on where and how they can take these items for environmentally safe recycling. Business users should contact their vendor and check the terms and conditions of the purchase agreement. This product and its electronic accessories should not be mixed with other commercial waste.
	This marking indicates that batteries should not be discarded like other household waste at the end of their useful life. Batteries must be delivered to selective collection points for recycling.
	The different types of packaging (cardboard, plastic, etc.) must be subject to selective collection for recycling. Separate packaging and recycle it responsibly.
	This marking indicates that the product and electronic accessories (eg. charger, USB cable, electronic material, controls, etc.) are susceptible to electric shock by direct or indirect contact with electricity. Be cautious when handling the product and observe all safety procedures in this manual.

RESPONSABILITY

- Supplier disclaims any liability if:
 - Product failure or deformation result from improper installation use or maintenance!
 - Safety norms are not followed in the installation, use and maintenance of the product.
 - Instructions in this manual are not followed.
 - Damaged is caused by unauthorized modifications
 - In these cases, the warranty is voided.

MOTORLINE ELECTROCELOS SA.

Travessa do Sobreiro, nº29
4755-474 Rio Côvo (Santa Eugénia)
Barcelos, Portugal

MP300	
• LED power supply	24 to 30Vdc
• RGB interface	Common cathode Common input: 24 to 30Vdc Sink control via ground connection
• Current per channel	< 100 mA (R, G, B independent)
• Maximum power	6 W (max.)
• Available colors	RGB (red, green, blue)
• Working temperature	-25° C to 55° C
• Lighting angle	360°
• Protection class	IP54
• Box material	ABS / Polycarbonate
• Dimensions:	124x110x38 mm

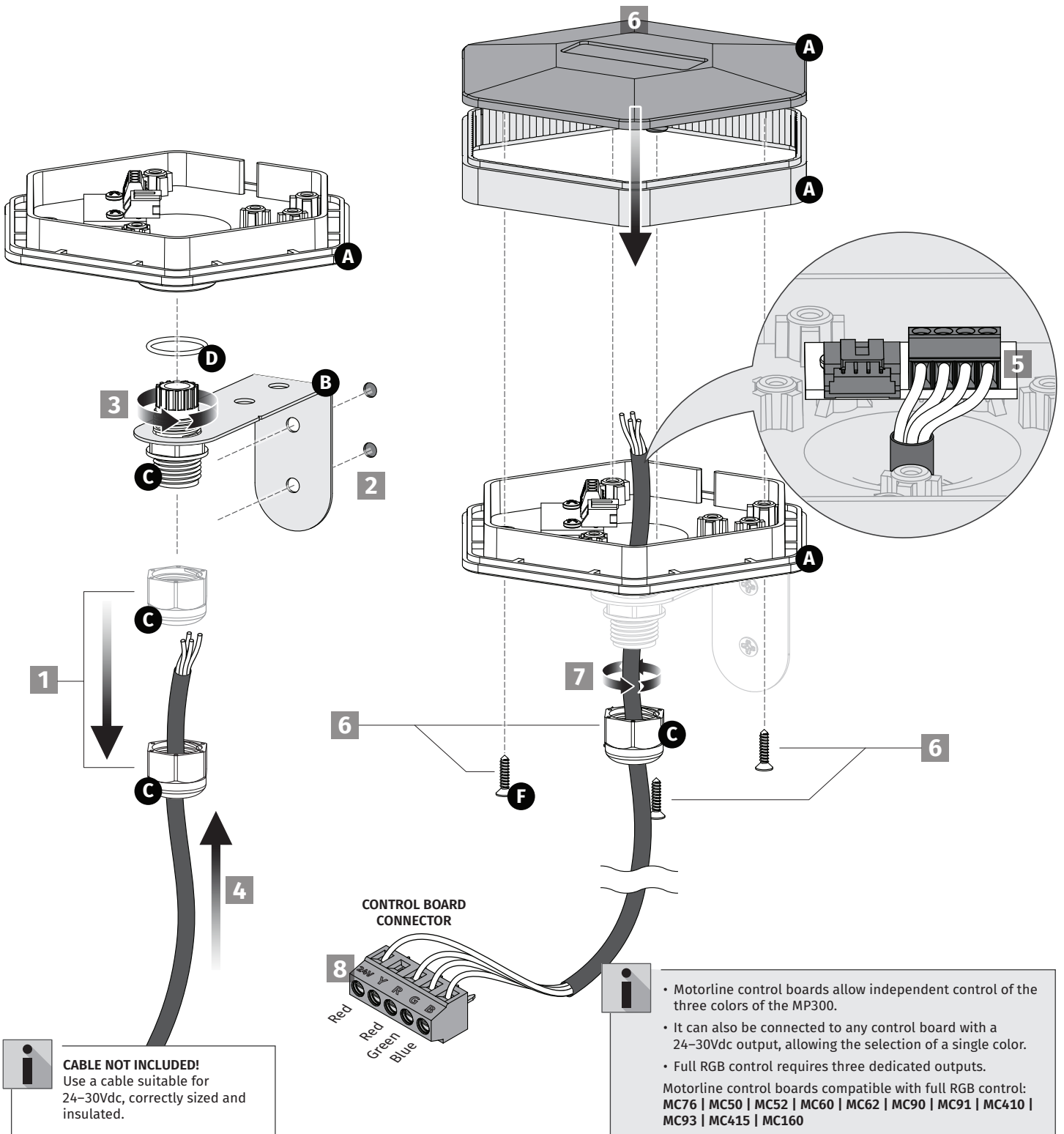
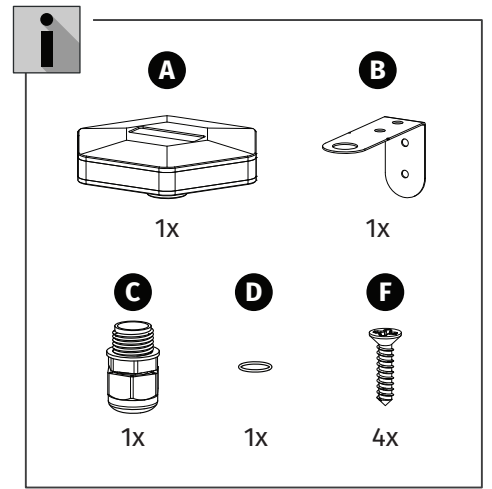
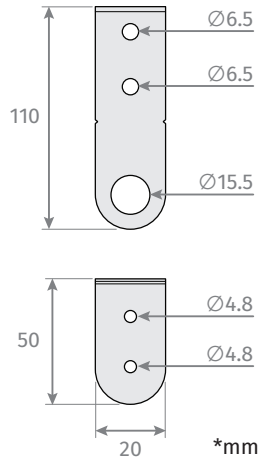
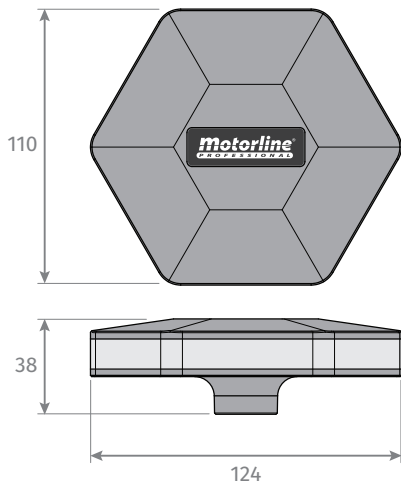


MOUNTING PLATE

- The product includes a metal support plate designed for fixing to walls or other flat surfaces. This plate allows for different installation scenarios, facilitating alignment and adaptation to various mounting contexts (indoor or protected outdoor).
- The plate can be pre-attached to the surface, allowing for quick assembly of the flashing lamp, simplifying installation and maintenance operations.

DRILLING FOR ACCESSORIES

- The mounting plate includes dedicated holes for installing the MA4 antenna, allowing direct integration with systems that use radio communication, without the need for additional supports.



CABLE NOT INCLUDED!
Use a cable suitable for 24–30Vdc, correctly sized and insulated.

Motorline control boards allow independent control of the three colors of the MP300.

- It can also be connected to any control board with a 24–30Vdc output, allowing the selection of a single color.
- Full RGB control requires three dedicated outputs.

Motorline control boards compatible with full RGB control:
MC76 | MC50 | MC52 | MC60 | MC62 | MC90 | MC91 | MC410 | MC93 | MC415 | MC160